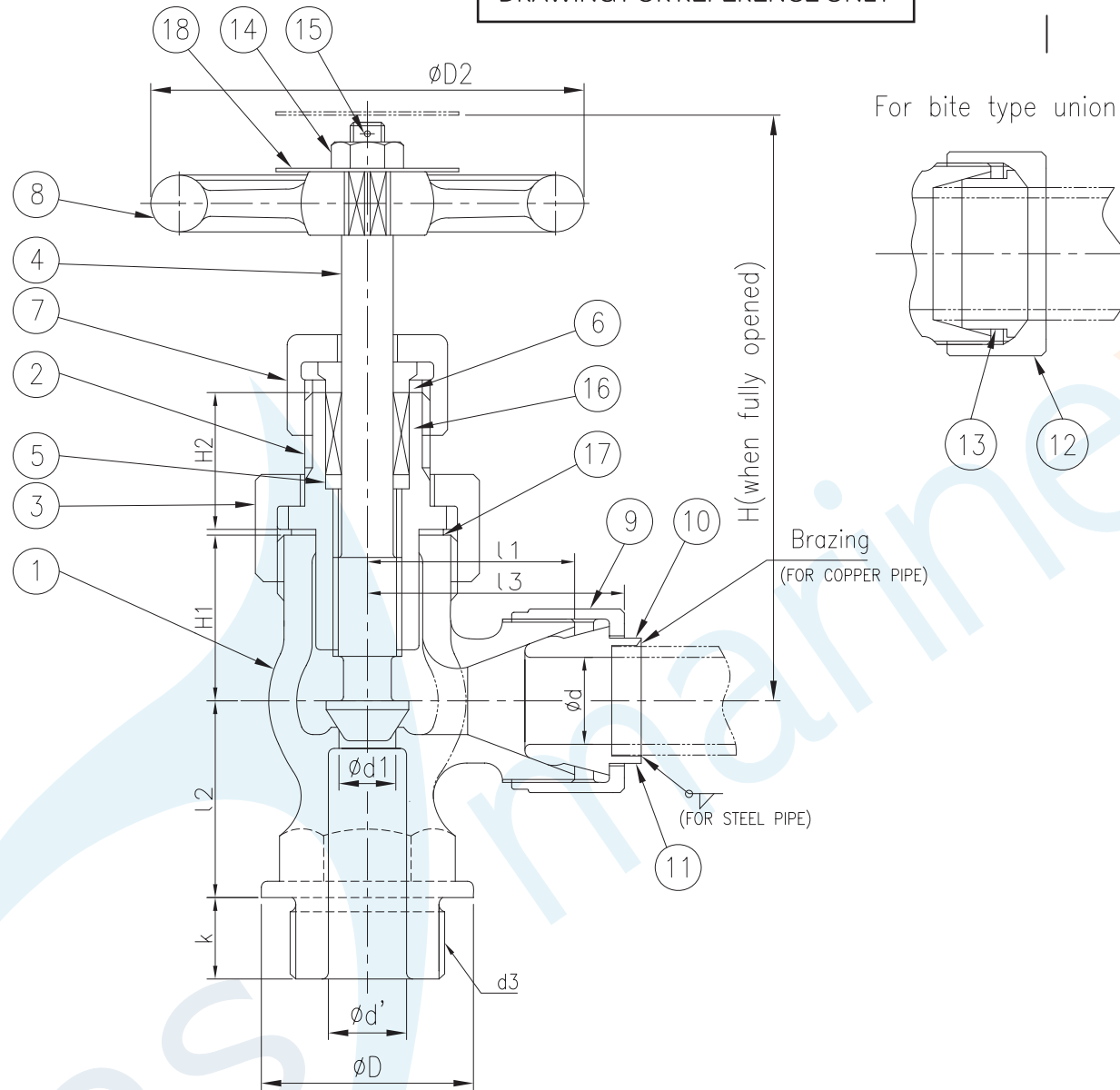


DRAWING FOR REFERENCE ONLY

Hydro' Test Pressure

	Kgf/cm <sup>2</sup>	MPa
BODY	42	4.12
SEAT	30.8	3.02



NOTE

1. Valve Standard & Code : JIS F7389
2. Flange Dimension : JIS B2240
3. Inspection & Test : JIS F7400

18	Name plate	JIS H3100-C2801 P-H
17	Gasket	Non Asbestos
16	Packing	PTFE
15	Split pin	JIS H3260-C2600 W
14	Hexagon nut	JIS H3250-C3771 BE
13	Sleeve	JIS H3250-C3604 BE
12	Union nut	JIS H3250-C3771 BE
11	Nipple for steel pipe	JIS G4051-S15 C
10	Nipple for copper pipe	JIS H5101-YBsC 1 or JIS H3100-C1100 BE
9	Union nut	JIS H5111-BC 6 or JIS H3250-C3771 BE
8	Handwheel	JIS G5501-FC 200
7	Nut	JIS H5111-BC 6 or JIS H3250-C3771 BE
6	Packing gland	
5	Seat ring	
4	Stem	JIS H3250-C3771 BE
3	Bonnet nut	JIS H5111-BC 6 or JIS H3250-C3771 BE
2	Bonnet	
1	Body	JIS H5111-BC 6

DIMENSION

[Unit: mm]

SIZE	Pipe out dia		øD	d	d'	d1	l1	l2	l3	Threads d3	k	H	H1	H2	øD2	Remark
	Copper pipe	Steel pipe														
6A	8	10.5	28	6	10	8	32	32	41	M20x1.5	12	95	25	22	63	
	10															
10A	15	17.3	34	10	12	10	39	35	51	M24x2	16	105	26	29	80	

NO.	COMPONENT	MATERIAL					
△							
△							
△	First Issued	-					
No.	ALTERNATION	SEAL					
TITLE		BRONZE, ANGLE VALVE					
		JIS 20K					
DRAWN.	CHEC.	APPRO.	DATE	2012.09.07	SCALE	N	S
H.Y.JUNG			TYPE	S Type			
			DWG. NO.				